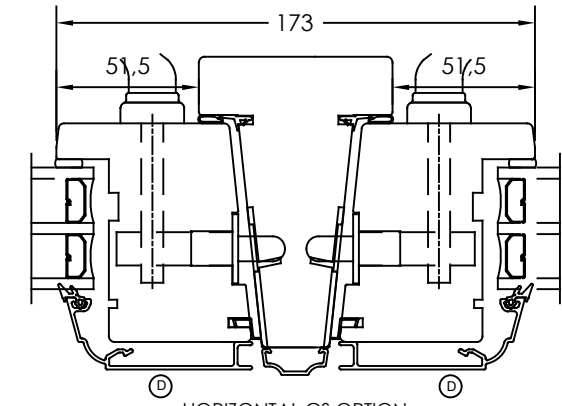
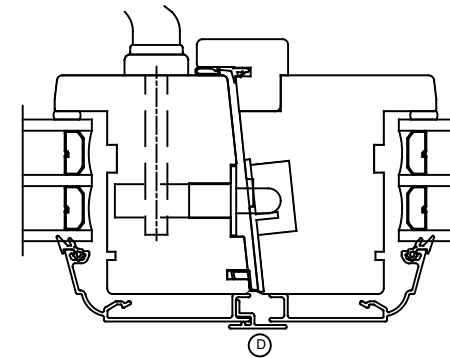
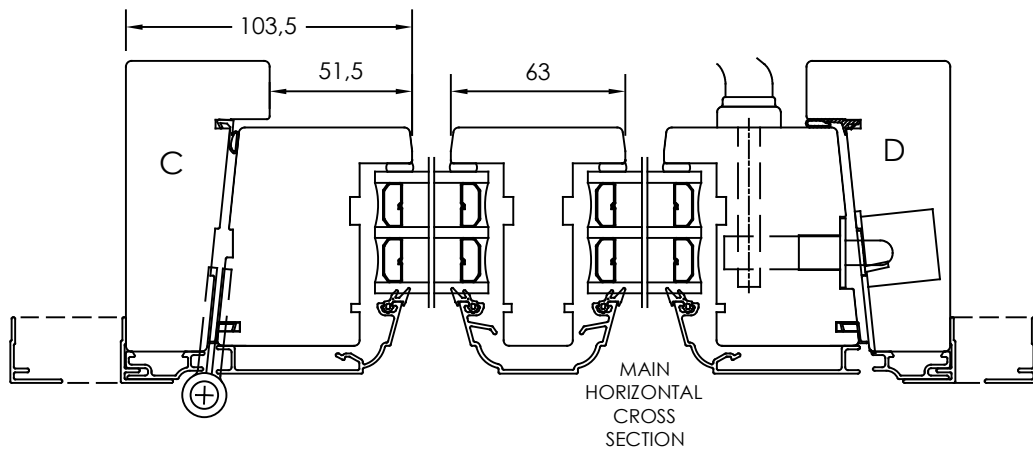
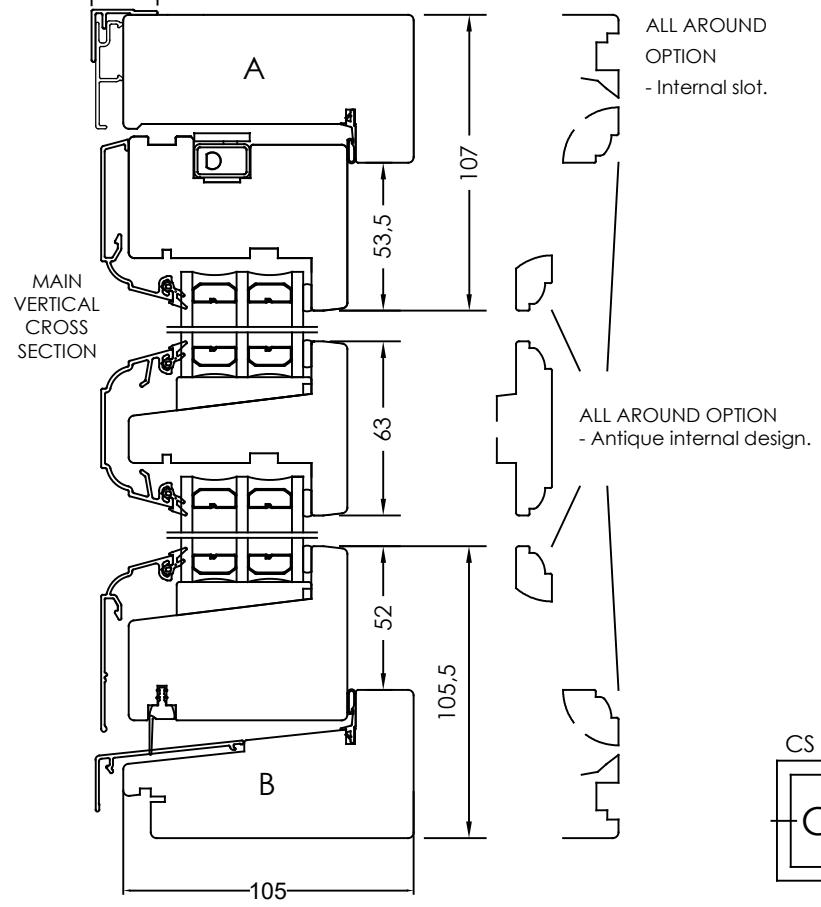


Rev	Description	Rev. by	Date
E	Uppdatering av stormtite och gummlist.	TN	2023-12-04

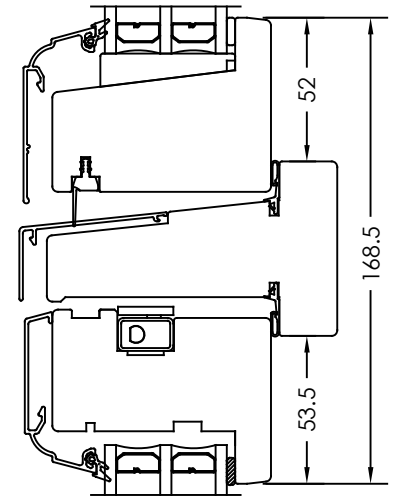
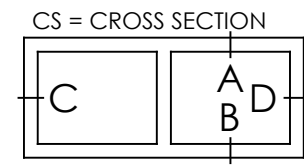


VERTICAL AND TOP OPTION  
- Profile for plastered fasades.  
Frame depth 117mm.



ALL AROUND OPTION  
- Internal slot.

ALL AROUND OPTION  
- Antique internal design.



Designed by	Designed date	Product Category	Processing Code
SH	2016-02-19	Window Outward	
Approved by	Approved date	Product Type	Material
JB	2024-03-01	Side Hung	
		Sidhängt	Tolerances unless otherwise specified
		3-glas, alu prof	View orientation
		Side Hung	Scale
3-glass, alu prof	Article Number	Revision	
	Drawing Number	E	
	61-37-S202		

We reserve all rights in this document and in the information contained therein. Reproduction, use or disclosure to third parties without express authority is strictly forbidden. INWIDO