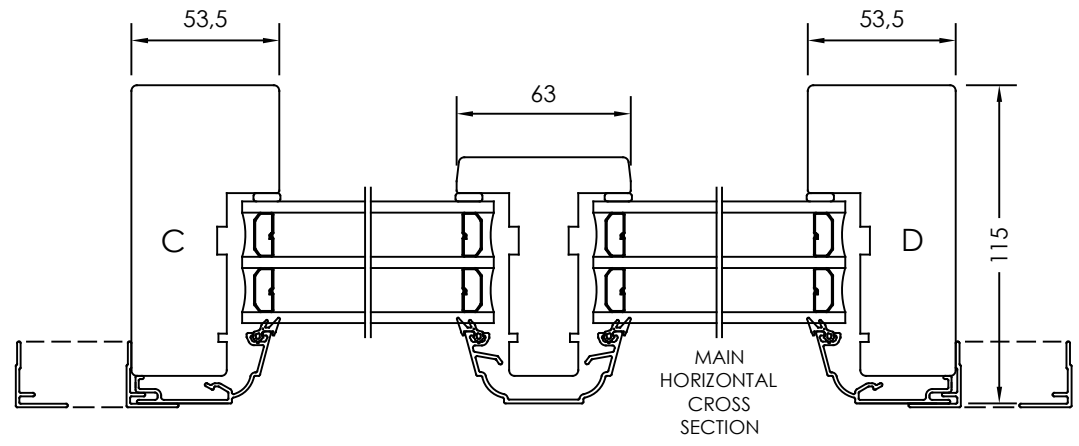
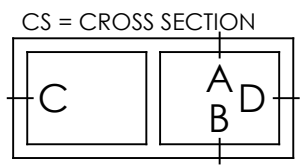
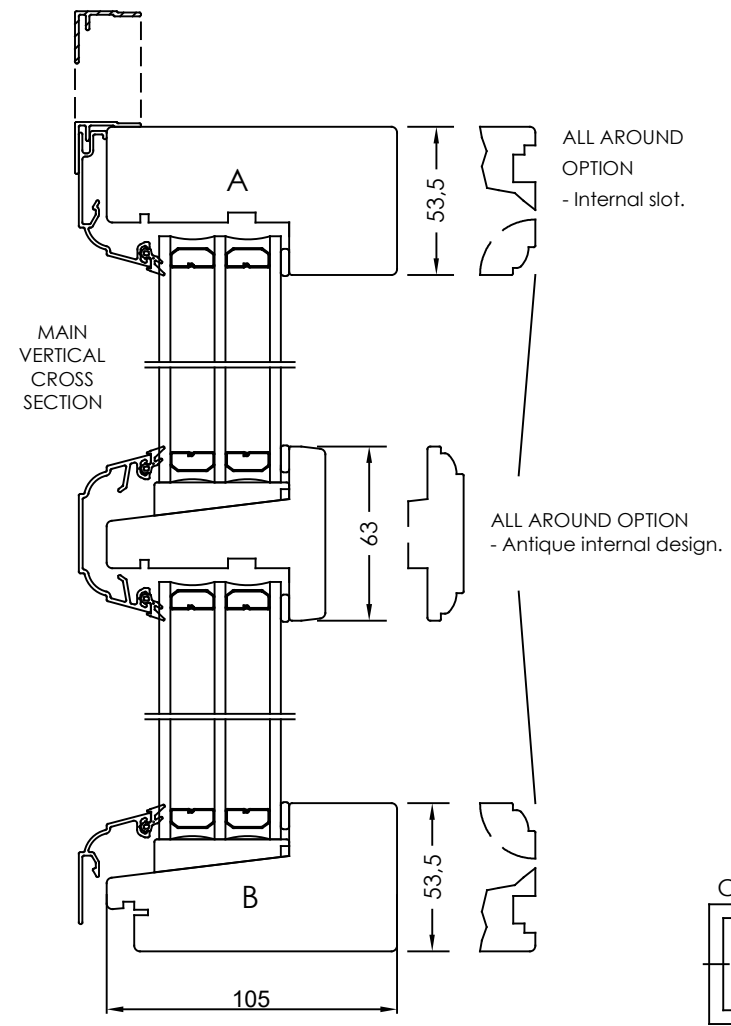


Rev	Description	Rev. by	Date
D	Uppdatering av gummilist.	TN	2023-12-04



VERTICAL AND TOP OPTION  
 - Profile for plastered fasades.  
 Frame depth 117mm.



Designed by	Designed date	Product Category	Processing Code
SH	2016-02-19		
Approved by	Approved date	Product Type	Material
JB	2024-03-01		
		Tolerances unless otherwise specified	View orientation
		Article Number	Scale
		Drawing Number	Revision
		61-37-F202	D

We reserve all rights in this document and in the information contained therein.  
 Reproduction, use or disclosure to third parties without express authority is strictly forbidden.  
 INWIDO