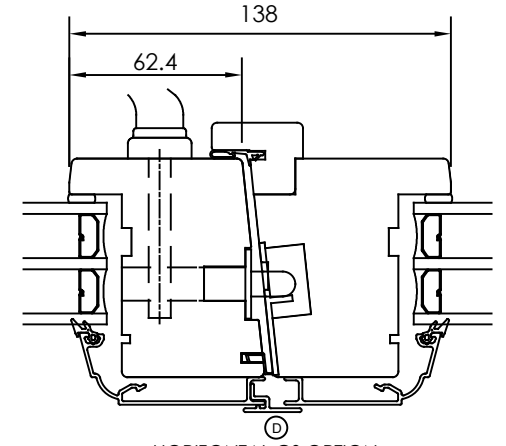
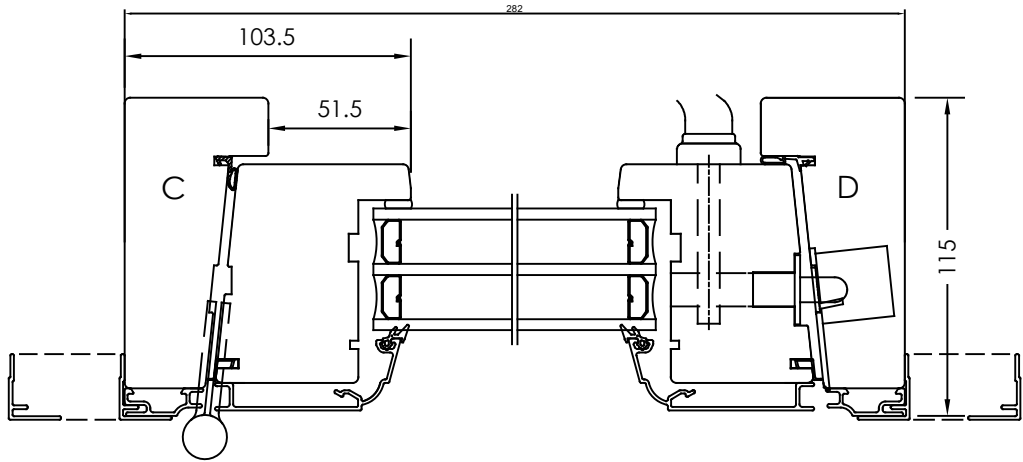
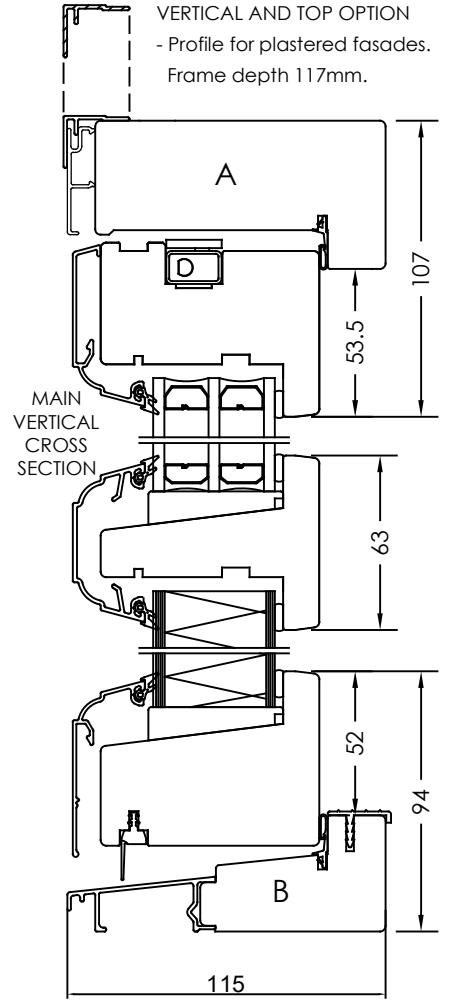


Rev	Description	Rev. by	Date
E	Uppdatering av Stormtite och Gummlist.	TN	2023-11-30



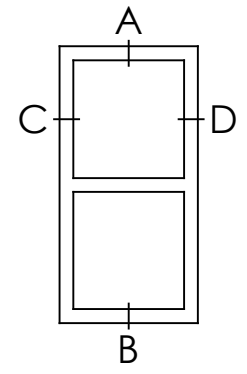
HORIZONTAL CS OPTION  
- Two horizontal abutting sashes.



VERTICAL AND TOP OPTION  
- Profile for plastered facades.  
Frame depth 117mm.

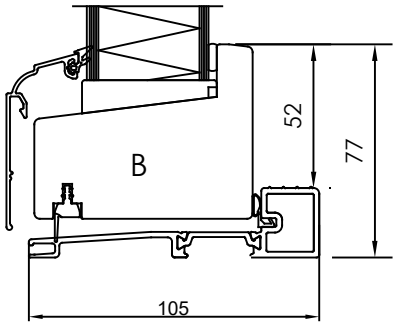
VERTICAL AND TOP OPTION  
- Internal slot.

ALL AROUND OPTION  
- Antique internal design.



CS = CROSS SECTION

VERTICAL CS OPTION  
- Low handicap threshold.



Designed by	Designed date	Product Category	Processing Code
SH	2016-02-19	Window Outward	
Approved by	Approved date	Product Type	Material
JB	2024-03-01	Side Hung	
		Dörr	Tolerances unless otherwise specified
		3-glas, Alu prof	View orientation
		Door	Article Number
		3-glass, Alu prof	Scale
			Drawing Number
			61-37-D202
			Revision
			E

We reserve all rights in this document and in the information contained therein. Reproduction, use or disclosure to third parties without express authority is strictly forbidden. INWIDO